



PROTECT

combined with active carbon



698862

FH181



CA

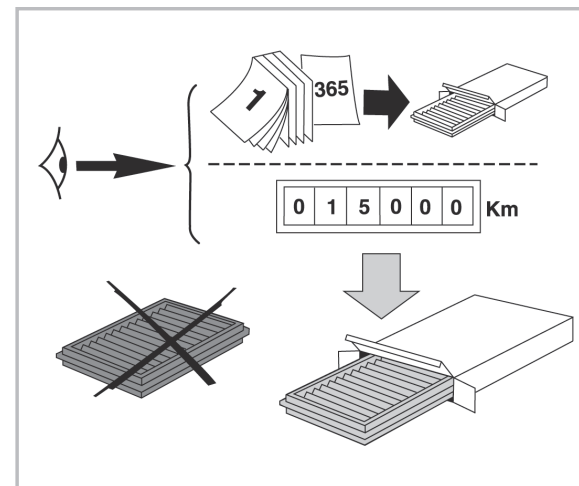
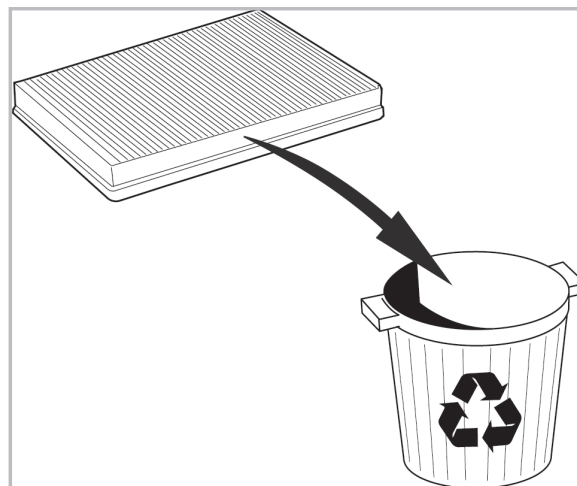
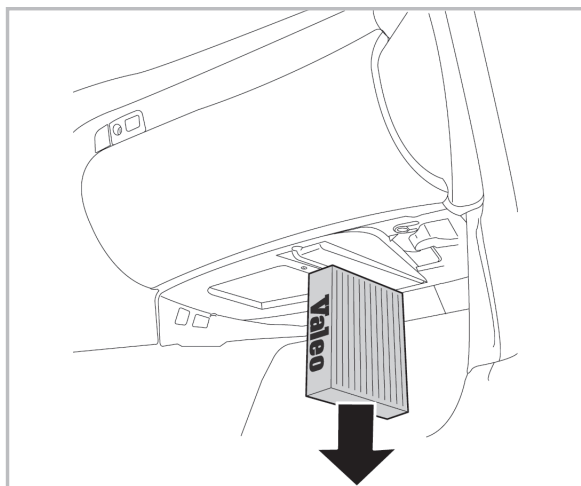
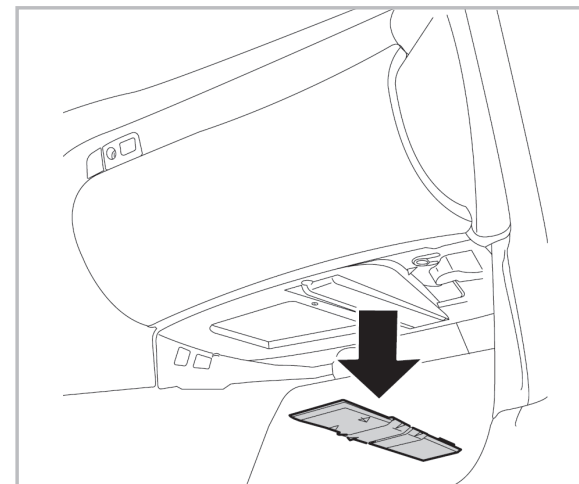
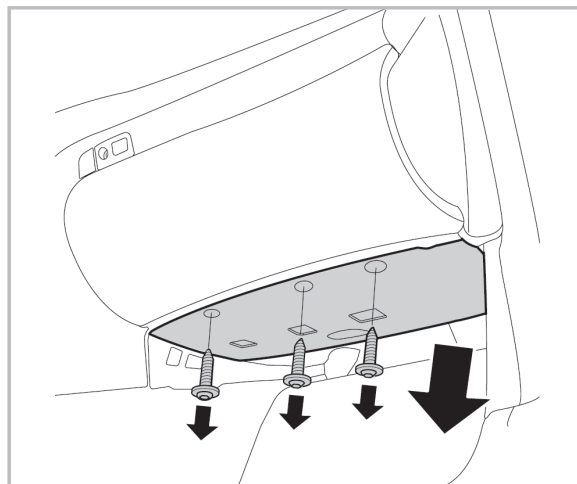
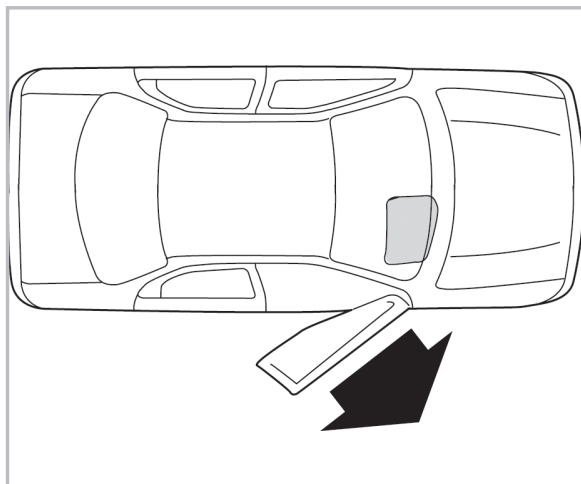
WANT TO KNOW MORE?



www.valeo-techassist.com

FOR
BMW

Z4 (E85/E86) A+ (09/02 >)



Valeo Service - Société par Actions simplifiée - Capital de 12 900 000€ - 70, rue Playel, 93285 Saint-Denis Cedex - France - B 306 486 408 RCS Bobigny